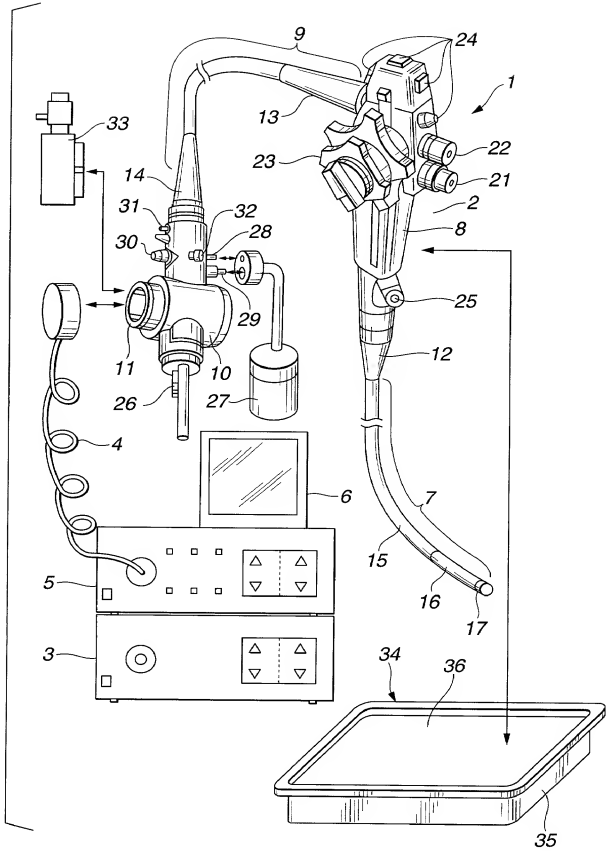
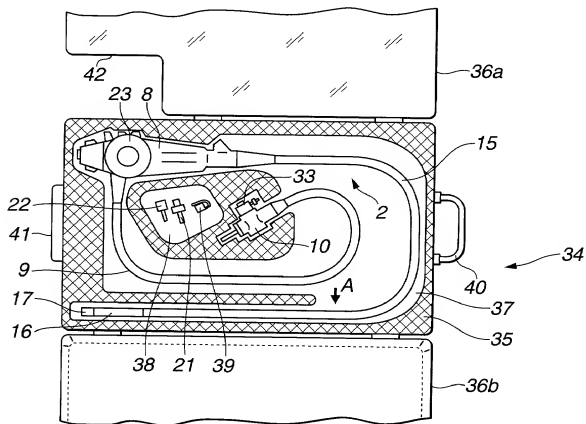


FIG.1



00004659-052001

FIG.2



09894659.052801 108290* 6594680

FIG.3

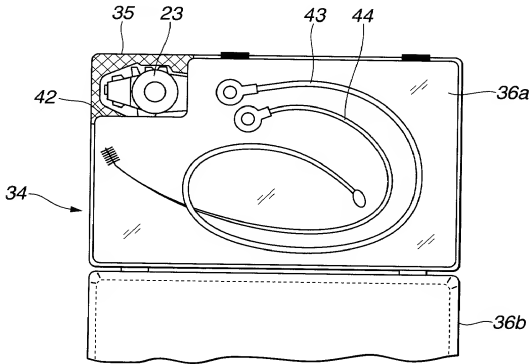


FIG.4

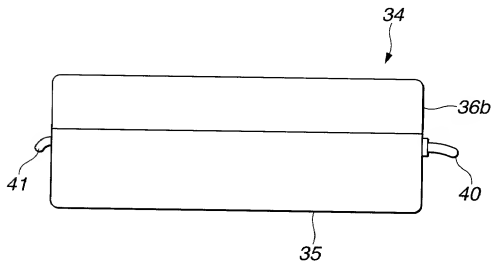


FIG.5A

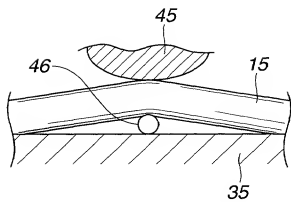


FIG.5B

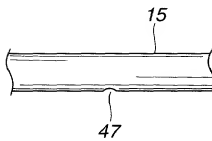


FIG.6A

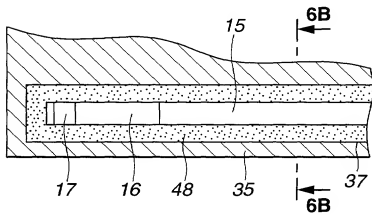


FIG.6B

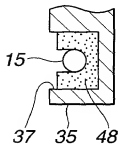


FIG.7A

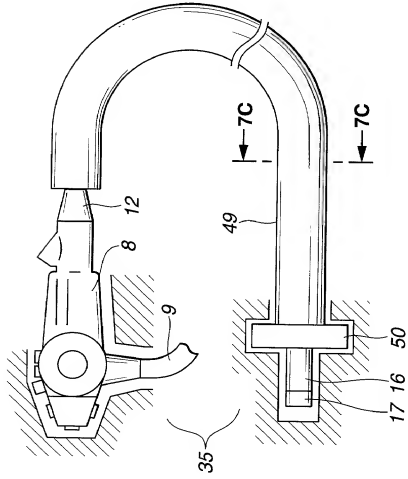


FIG.7B

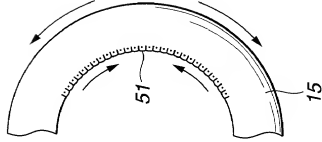
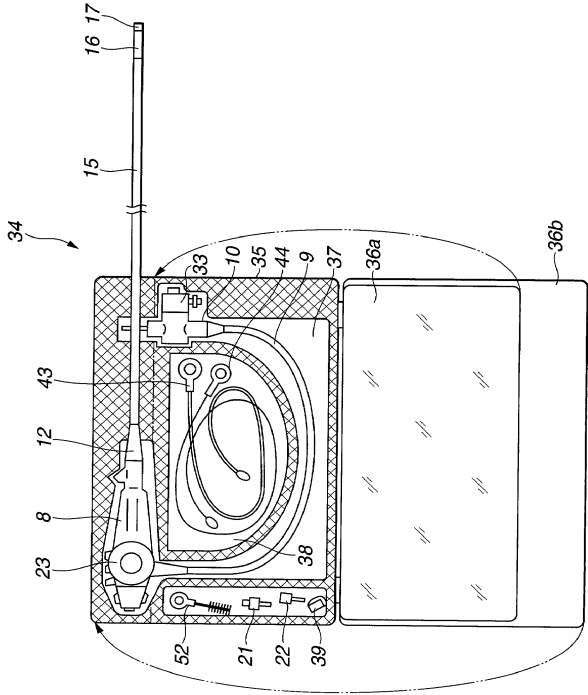


FIG.7C



FIG.8



09894655.062807
108290.65946890

FIG.9A

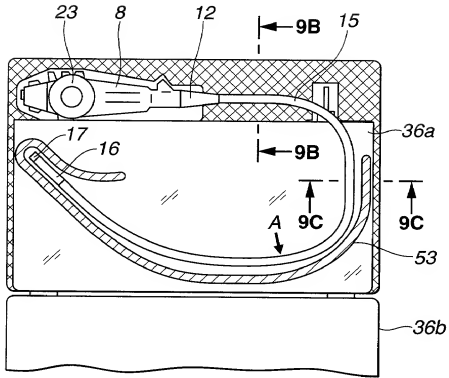


FIG.9B

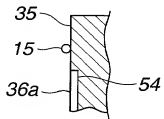


FIG.9C

